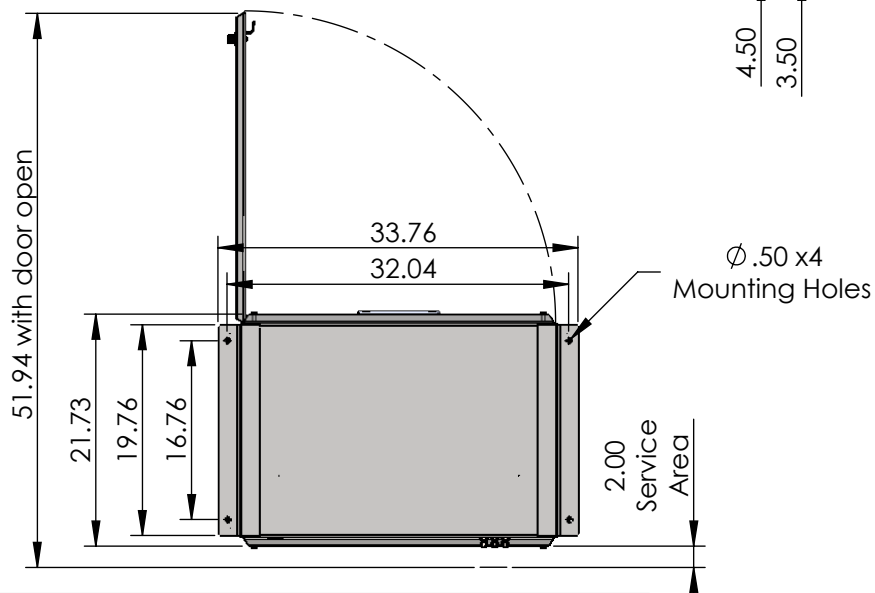
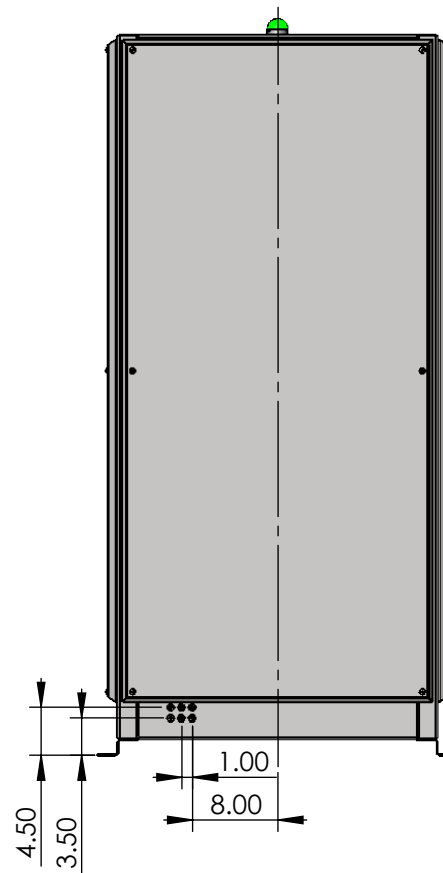
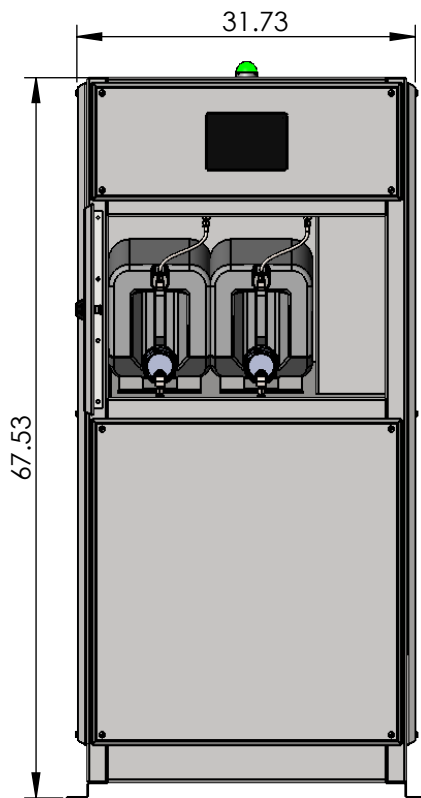


Sloan Lubrication System for a six cylinder compressor. Includes a TriCip Lubrication Cabinet with six feeds, remote mount secondaries, and check valves.



SPECIFICATIONS

Power Input

19-28 vDC, 10A
110/240 VAC, 2.9A/1.5A

Hazardous Location

Class 1 Div 2 Grps. A,B,C,D

Outputs

Alarm Relay 250 VAC 6A

Pressure Rating

0-1500 PSI

Flow Rate

0.1 - 100 PPD

Communications

Serial RS232/485
Ethernet (several protocols supported including, but not limited to MODBUS TCP, TCP/IP Internet Web server)

Local Display

7" WVGA Color HMI(800 x 480) with intuitive monitoring/control software including instructional operations guide and troubleshooting
3 Color LED Dome Light

IIoT

Cloud Monitoring

	NAME	DATE
BUILT		
DRAWN	NAA	04/26/18
REVISED	-	-
CHECKED	-	-

COMMENTS:
R0: Prototype Rev.
R1: Initial Revision

SLOAN

LUBRICATION SYSTEMS

168 Armstrong Drive
Freeport PA 16229

800-722-0250
SloanLubrication.com

SIZE	DWG. NO:	REV
A	SLS-TriCip-18	1

SCALE: 1:18 WEIGHT: SHEET 1 OF 3

PROPRIETARY AND CONFIDENTIAL

THE INFORMATION CONTAINED IN THIS DRAWING IS THE SOLE PROPERTY OF SLOAN BROTHERS CO. ANY REPRODUCTION IN PART OR AS A WHOLE WITHOUT THE WRITTEN PERMISSION OF SLOAN BROTHERS IS PROHIBITED.

DO NOT SCALE DRAWING

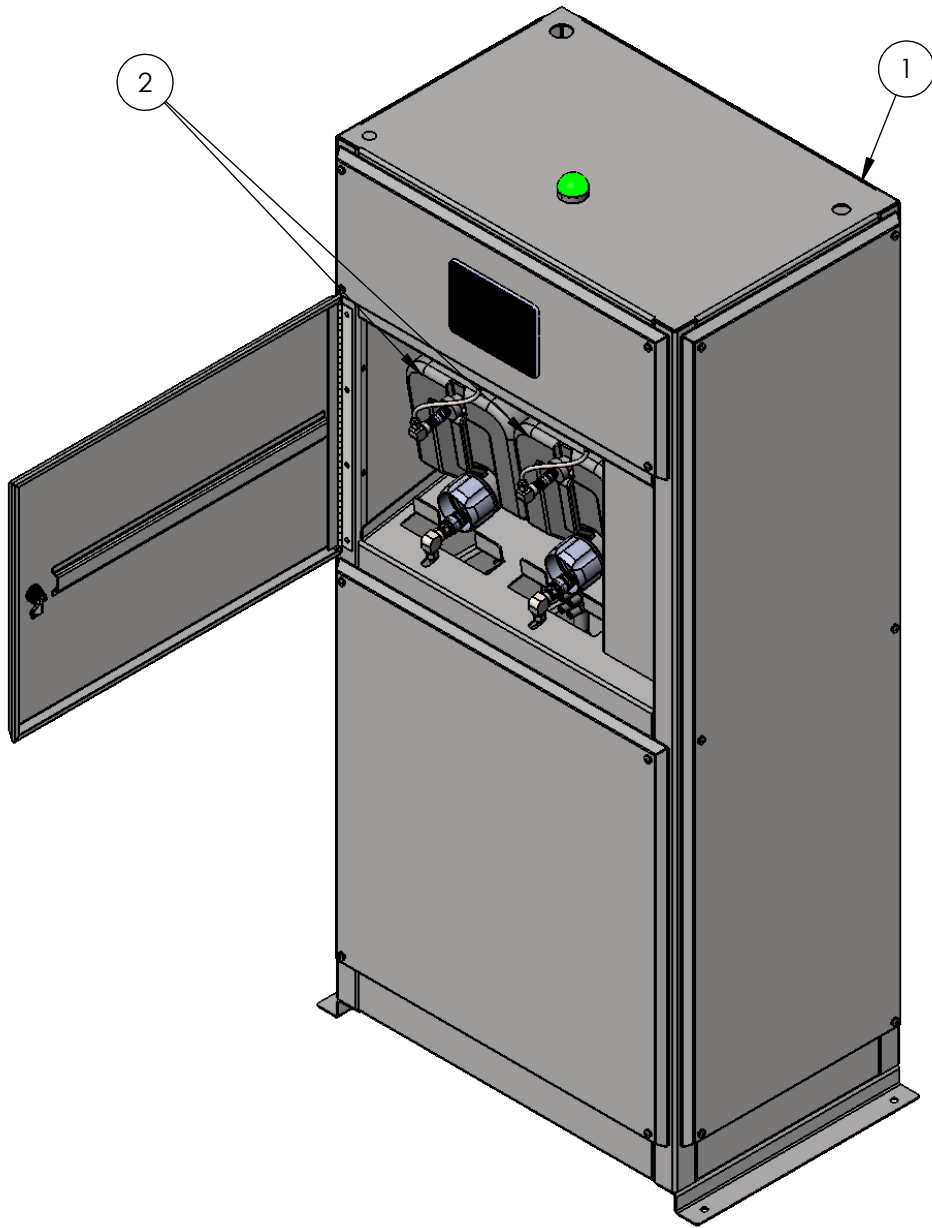
5

4

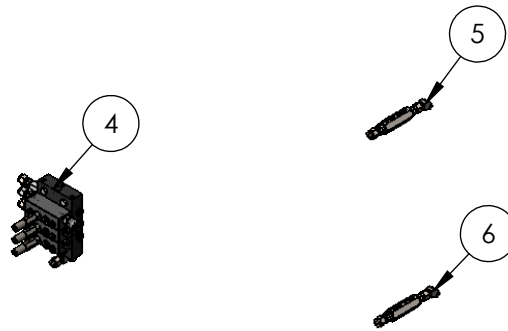
3

2

1



Item	Part Number	Description	Qty
1	SLS-TriCip-Cbt-6	Sloan Lubrication TriCip Cabinet, 6 Feed	1
2	TriCip-GC-68-20L	TriCip Gas Compression ISO 68 Fluid, 20 Liters (5.28 Gallons)	2
3	SB-DL-3-03SLx3-3-Y-4	SB Secondary Divider Assy 3 Section 3 Outlets (Left) 1500# Pin Ind. Swagelok SS Bottom In Elbow. Lincoln Bolt Centers. Divider Displacement is .018 Cubic Inches.	6
4	SB-V-C-Omni-4SW-ST-4MP-45EL-2	Omni Check Valve, 1/4 OD Inlet, 1/4 MPT 45 degree Elbow Outlet, Swagelok SS Tube Fittings, Steel Pipe Fittings, Cylinder Feed	12
5	SB-V-C-Omni-4SW-ST-4SW-ST-2	Omni Check Valve, 1/4 OD Inlet, 1/4 Outlet, Swagelok SS Tube Fittings, Packing Feed	6



SLOAN
LUBRICATION SYSTEMS

168 Armstrong Drive
Freeport PA 16229

800-722-0250
SloanLubrication.com

	NAME	DATE
BUILT		
DRAWN	NAA	04/26/18
REVISED	-	-
CHECKED	-	-

SIZE DWG. NO: REV
A SLS-TriCip-18 1

SCALE: 1:12 WEIGHT: SHEET 2 OF 3

PROPRIETARY AND CONFIDENTIAL

THE INFORMATION CONTAINED IN THIS DRAWING IS THE SOLE PROPERTY OF SLOAN BROTHERS CO. ANY REPRODUCTION IN PART OR AS A WHOLE WITHOUT THE WRITTEN PERMISSION OF SLOAN BROTHERS IS PROHIBITED.

DO NOT SCALE DRAWING

5

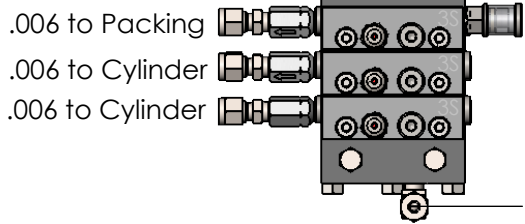
4

3

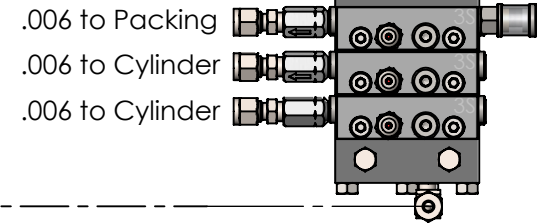
2

1

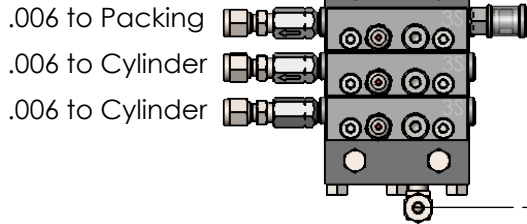
Cylinder 1 Divider Block



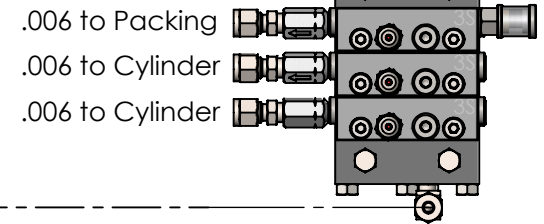
Cylinder 2 Divider Block



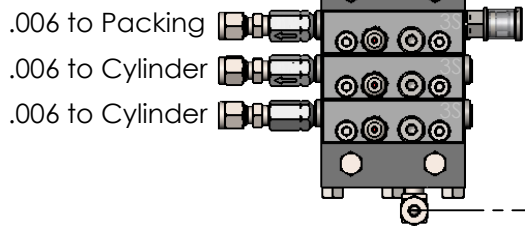
Cylinder 3 Divider Block



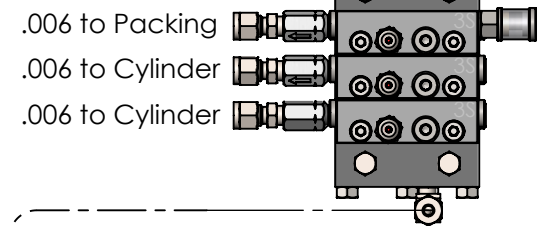
Cylinder 4 Divider Block



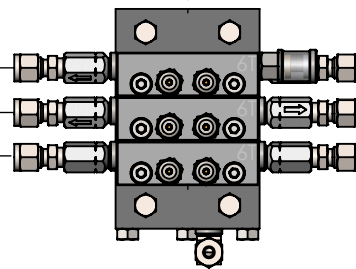
Cylinder 5 Divider Block



Cylinder 6 Divider Block



Primary Divider Block
Mounted in and monitored by
TriCip Cabinet



Divider Assembly Details:
18 feeds total
.036 delivered cubic inches per cycle
of primary divider block

PROPRIETARY AND CONFIDENTIAL

THE INFORMATION CONTAINED IN THIS DRAWING IS THE SOLE PROPERTY OF SLOAN BROTHERS CO. ANY REPRODUCTION IN PART OR AS A WHOLE WITHOUT THE WRITTEN PERMISSION OF SLOAN BROTHERS IS PROHIBITED.

DO NOT SCALE DRAWING

	NAME	DATE
BUILT		
DRAWN	NAA	04/26/18
REVISED	-	-
CHECKED	-	-

SLOAN
LUBRICATION SYSTEMS

168 Armstrong Drive
Freeport PA 16229

800-722-0250
SloanLubrication.com

SIZE	DWG. NO:	REV
A	SLS-TriCip-18	1

SCALE: 1:4 WEIGHT: SHEET 3 OF 3